

CX D-SERIES CRAWLER EXCAVATORS
CX145D SR | CX245D SR
STAGE V

CASE
CONSTRUCTION



IT'S TIME
FOR MORE

www.casece.com

EXPERTS FOR THE REAL WORLD
SINCE 1842

HERITAGE OF A “PERFECT BALANCE” LIKE CREATING A “PIECE OF ART”



EXPERTS FOR THE REAL WORLD SINCE 1842

1842 CASE is founded.

1869 The first CASE portable steam engine - road construction is born.

1957 The first factory - integrated loader/backhoe in the world: a CASE industry first.

1969 CASE begins skid steer loader production.

1992 Sumitomo becomes supplier to CASE Corporation distributing excavators ranging from 7 to 80 tons.

1998 Global Alliance signed between CASE Corporation and Sumitomo.

2001 CASE introduces the first of its CX excavators, powerful new “thinking machines” designed to enhance productivity through onboard intelligence features.

2007 CX210B is awarded the «Good Design Award» by the design Academy of Japan.

2008 CX210B wins the 18th «Energy Conservation Award» from the Agency for Natural Resources

and Energy of the Japanese Ministry of Economy.

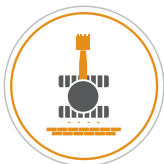
2011 CASE becomes the first construction equipment manufacturer to offer both selective catalytic reduction and cooled exhaust gas recirculation as solutions to meet stringent emissions standards.

2015 CASE launches the new “D series” Tier 4 final/ EU Stage IV Crawler Excavators.

2018 CASE begins producing Stage V models for Europe.

THE RAREST MATCH

SPEED AND CONTROLLABILITY



COMPACT PERFORMANCE

The CASE Short Radius models are the perfect machines for jobsites where space is limited, such as road or urban construction.

Our SR models bring to your jobsite all the benefits of the D Series, so that you can get the job done in confined spaces with no compromise on performance.

The high operating weight and standard undercarriage in blade configuration ensure greater stability and outstanding maneuverability in narrow spaces.

The machines offer best-in-class lift capacity, delivering high productivity across a great variety of applications.



FAST CYCLES

High performance hydraulics control

- The electrically controlled pumps deliver faster cycle times.
- Oil flow can be adjusted according to working needs, or increased smoothly when starting travel and boom down.
- As a result, the machine responsiveness to operation load is multiplied, resulting in cycle times up to 5% faster than the previous generation.



HIGH PRECISION AND CONTROLLABILITY

Smooth control with the CASE Intelligent Hydraulic System

The proven CASE Intelligent Hydraulic System (CHIS) delivers impressive machine control with unrivalled energy savings in all cycle time phases (digging, boom up and swing, dumping).

D-SERIES CRAWLER EXCAVATORS



HIGH VERSATILITY

Wide offering

Versions with and without blade, Mono boom, 2 piece boom and offset boom to match the different working needs.

Working modes easily adapt to every work load

The familiar working mode systems offers 3 power modes to match different requirements.

- A** MODE for grading, lifting and precision work.
- H** MODE the best balance between productivity and fuel economy.
- SP** MODE extra speed and power for the most demanding jobs that require maximum productivity.

Auto Power boost automatically increases hydraulic pressure according to the operation's demands.

CASE interference device is standard in **offset** boom version, allowing the operator to use the attachment closer to cabin in fully safety. Transportation height is also reduced.

HIGH QUALITY

Accurate, simple and robust design for high durability

- True to CASE's enviable reputation for reliability and durability, the D-Series delivers leading design solutions and manufacturing quality.
- Wide choice of arm solutions, including the heavy-duty arm with reinforcement plate and bars on the bottom side.

ENERGY SAVING & ADAPTIVE CONTROL

THE SECRET



HIGH EFFICIENCY: THE SECRET

Great performances with low fuel consumption

CASE Intelligent Hydraulic System (CIHS) like an ORCHESTRA DIRECTOR coordinates the different components and make them the work in harmony. The result is that force is matched by manoeuvrability, delivering an impressive adaptive smooth control during each transition from one movement to other by ensuring that energy is saved in every cycle phase. The operator, even the most demanding, feels immediately in controls of the machine's huge power with the highest precision he can ever wish.

- Torque control decreases main pump loads to prevent a drop in engine rpm.
- Boom Economy Control (BEC) increased fuel efficiency during boom lower and swing operations.
- Swing Relief Control (SWC) carefully manages the hydraulic power distribution in slewing operations.
- Spool Stroke Control (SSC) creates an automatic pressure adjustment during digging and leveling operations.
- The Auto Idle and the Idle Shutdown functions avoid unnecessary fuel consumption.
- Boom oil Regeneration Control (BRC) for CX245D SR uses the boom down movement to make arm opening faster.



CLEANER (STAGE V)

EU Stage V compliant engines

- The new STAGE V engine meets the latest EU standards for engine exhaust emissions that sets new limit for particle number (PN) and further reduced particulate matter (PM) levels.
- Water separator sensor linked to a dedicated message on machine monitor to drain water when level in filter is too high.
- New final safety filter (maintenance free) to protect the engine from dust during the main filter replacement.
- Oil gas recirculation in closed circuit PCV (Positive Crankcase Ventilation) for CX245D SR makes sure the oil gas are filtered, separated and sent back to the crankcase, avoiding dispersion into the air.
- The engine of the latest generation, electronically controlled with Variable Geometry Turbocharger, high pressure common rail with multi-injection ensures great performances and low fuel consumption.
- Largest Adblue® tank in the industry allows longer working time without stopping for Adblue refill (5 fuel refills before a stop for CX245D SR, 7 fuel refills for CX145D SR). With CASE no time is wasted and your refill is more efficient and safe.

D-SERIES CRAWLER EXCAVATORS



COMFORTABLE AND SAFE CAB

The ultimate interior cab configuration

- Superior cab structure with ample legroom for the operator.
- Fully adjustable workstation
- Ergonomically designed highback seat with air suspension for excellent comfort.
- Optional seat tilting adjustment and seat heater.
- Top class features include 178 mm colour LED Monitor, bluetooth tuner and radio, spacious storage compartment, 12v accessory plug, clipboard holder, mobile phone holder, warm and cool box, fuse box service connection, storage tray and ergonomic arm rest.



SMOOTH RIDE, QUIET WORK ENVIRONMENT

Soundproof pressurised cab

- The cushioning system lowers noise and vibration levels for the operator's ultimate comfort.



COMFORT RULES FIRST CLASS CAB AND SEAT



D-SERIES CRAWLER EXCAVATORS



NEW DESIGN

Upgraded recoil spring and rod design with a new double cross section internal plate to improve significantly muds and debris self cleaning and increases carrier roller durability.



SAFE OPERATION

ROPS cab and FOPS level II

Designed to provide superior safety on the job site while increasing productivity

- Reinforced cab structure compliant with ROPS/FOPS requirements.
- FOPS Level 2 certified top cab guard is STANDARD
- Wide offering of optional front guards.
- Optional factory fitted travel alarm for greater safety on the jobsite around the machine.



SAFE AND EASY MAINTENANCE

Keep your feet on the ground with CASE

- All filters and regular fill points are grouped for easy access.
- Engine oil change intervals set at 500 hours.
- Radiator and cooler cores mounted side by side for easy access for cleaning and more efficient cooling.
- Standard 100 l/min refueling pump with automatic cut off reduces downtime for regular fills.
- Optional hydraulic and engine oil sampling port accessible at ground level for easy oil check.
- Battery Shutdown Switch for safe maintenance on the electrical system.
- All the D-series crawler excavators feature the Extended Maintenance System (EMS) bushings, providing 1,000 hour greasing intervals on all pins except the attachment linkage.

NEW
NEW

- New Fuel filter supply line with no need to flush after filter replacement thanks to a safety filter (maintenance free)
- Fuel prefilter Water sensor with dedicated message on Cabin monitor



SAFETY AND MAINTENANCE

WORK SAFELY IN ALL CONDITIONS



OUTSTANDING VISIBILITY

Safety-minded cab structure

Cab designed to create a perceptibly safe and secure working environment:

- Ample glazed surface
- Efficient use of space with grouped engine, cooling and after-treatment systems to provide excellent rear visibility.
- Rear & side view cameras as standard
- Optional CASE maximum view monitor (230° rear & side view)
- Optional LED lighting package provides a deeper and wider visibility coverage of the area around the machine when working after dark.



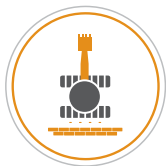
SAFE ACCESS TO UPPERCARRIAGE

Solid and robust platform and handrails

- Wide, robust and comfortable steps for safe access to the top of the hood.
- Non-slip plates and top hood cover are supported by 2 gas pistons and secured by 2 mechanical stops when open.
- ISO Compliant and foldable Guard Rail & Hand Rail for more protection and easier transportability



MAIN REASONS TO CHOOSE THE D-SERIES



COMPACT PERFORMANCE

- Perfect machines for jobsites where space is limited
- Best-in-class lifting capacity for high productivity
- Increased operating weight for extra stability



THE SECRET FOR HIGH PRECISION AND CONTROLLABILITY

CASE Intelligent Hydraulics System (CIHS) is synonymous and reference in the market for being one of the very rare machine combining SPEED, CONTROLLABILITY and best energy saving performance.



HIGH VERSATILITY

- 3 available power modes to match customer needs (A, H, SP)
- Auto Power boost job-sensing hydraulic pressure increase.



HIGH EFFICIENCY

- Energy saving system to take advantage of all fuel saving opportunities: up to 8% more fuel efficiency
- Best in class levels of AdBlue autonomy with larger AdBlue tank and low additive consumption



STAGE V ENGINE

- in line with the latest EU standard:
- new ATS with DPD filter (Diesel Particulate Diffuser)
 - new closed PCV system on CX245D SR (Positive Crankcase Ventilation)





FAST CYCLES

- Best-in-class cycle times thanks to improved hydraulic system
- Electronically controlled hydraulic pumps



OUTSTANDING VISIBILITY

- Wide glazed area
- Rear and side view cameras as standard
- Large LED monitor
- Optional CASE maximum view monitor (230° rear & side view)
- Optional LED lighting package



SMOOTH RIDE, QUIET WORK ENVIRONMENT

- Cab with cushioning system
- Low noise and vibration



COMFORTABLE AND SAFE CAB

- Extra spacious cab
- Fully adjustable workstation
- High back seat
- Rops cab and FOPS level 2 as standard



SAFE OPERATION AND MAINTENANCE

- NEW** - New Fuel filter supply line with no need to flush after filter replacement: thanks to a safety filter (maintenance free)
- NEW** - Fuel prefilter Water sensor with dedicated message on Cabin monitor
- Standard extended handrails and guardrails
- Optional factory fitted travel alarm
- Maintenance points grouped for easy and safe access
- Foldable Guard Rail & Hand Rail



NEW UNDERCARRIAGE

On CX145D SR new recoil spring and rod design. for better muds and debris self cleaning and increased carrier roller durability





THE SCIENCE BIT

The CASE SiteWatch telematics system uses a high-tech control unit mounted on each machine to collate information from that machine and from GPS satellites. This data is then sent wirelessly through the mobile communication networks to the CASE Telematics Web Portal.



SiteWatch: centralised fleet control benefits at your fingertips

Measure your true asset availability and optimise it

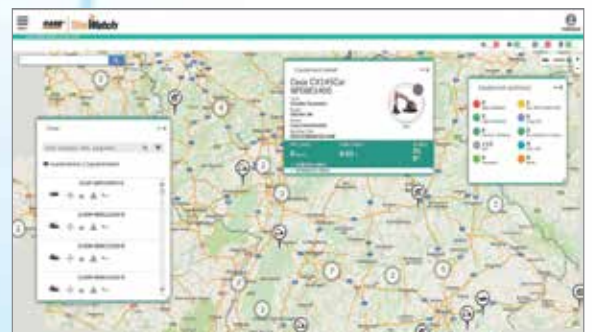
- Eliminate the “phantom fleet”: SiteWatch allows to identify spare units or under loaded machines on each site.
- Become able to reallocate units where they are more needed.
- Forward maintenance planning is easier since the actualised working hours are always available.
- Extend the benefits of SiteWatch to the rest of your fleet: SiteWatch can be installed on the units of other brands as well.

Challenge your Total Cost of Ownership!

- Being able to compare the fuel usage of different machine types will allow you choose the right equipment.
- Save on transport costs with planned and grouped maintenance tasks.
- Peace of mind, optimised uptime and lower repair costs: with preventive maintenance you can for example be alerted if the engine needs to be serviced and avoid a disruptive breakdown.
- Be able to compare your asset Return on Investment on different sites.
- Your equipment is used only during working hours. You can set up alerts so that you know if it is in use during the weekend or at night.
- Integrate with the programmed maintenance package, so that you can be sure every machine is at the right place at the right time.

More safety, lower insurance premium

- Keep thieves away: dissuade them from attacking your asset because it is geo-localised. SiteWatch is hidden so that thieves can't find it quickly.
- Your fleet is used only where you decide. You can define a virtual fence and receive an email when a machine exits that perimeter.



STANDARD AND OPTIONS

STANDARD EQUIPMENT

ENGINE

Isuzu 4-cylinder turbo-charged diesel
EU stage V Certified
Selective Catalytic Reduction (SCR)
Diesel Particulate Diffuser (DPD)
Cooled Exhaust Gas Recirculation (CEGR)
VGT turbocharger
Electronic fuel injection
High pressure common rail system
Neutral safety start
Auto-engine warm up, emergency stop
Glow-plug pre-heat
EPF (Engine Protection Feature)
Dual-stage fuel filtration
Dual element air filter
Remote oil filter
Green plug oil drain
500-hour engine oil change interval
24-Volt system
Battery disconnect switch
High ambient temperature cooling package
External Fuel and AdBlue gauges
Fuel cooler
Fuel filter restriction indicator
Fuel shut-off valve
Fuel prefilter Water sensor with dedicated message on
Cabin monitor
Idle start
Radiator, oil cooler, intercooler – protective Screen
Refueling Pump

FUEL ECONOMY SYSTEMS

Engine Idle/Fuel Economy System:
Auto-idle
One-touch idle
Auto-idle shut-down
Torque control
Boom Economy Control (BEC)
Swing Relief Control (SWC)
Spool Stroke Control (SSC)
Boom oil Regeneration Control (BRC) for CX245D SR

OPTIONAL EQUIPMENT

HYDRAULICS

Clamshell circuit
Low-flow circuit, proportional control
Single acting pedal activated hammer circuit
Single acting hammer circuit with electrical proportional control
Multifunction (hammer/high flow) circuit with electrical proportional control

ATTACHMENTS

CX145D SR

Arm 2.1 m (HD) for Mono and upon request
for 2 Pieces Boom
Arm 2.1 m for Offset version
Arm 2.5 m for 2 Pieces Boom
Arm 3.0 m for Mono and 2 Pieces Boom

HYDRAULICS

Electronically controlled hydraulic pumps
Auto power boost
Auto travel speed change
Selectable work modes
Overload warning device
ISO pattern controls
Pre-set auxiliary pump settings
Switch controlled auxiliary selection
Auxiliary valve
Hydraulic filter restriction indicator
Oil cooler
5,000 hour hydraulic oil change interval
2,000 hour hydraulic filter change interval

UPPERSTRUCTURE

ISO mirrors
Handrail – RH access
ISO guard rails
Isolation mounted cab (fluid and spring)
Lifting eyes for counterweight
Lockable fuel cap, service doors and toolbox
Rear and side view safety camera
2.85 t counterweight (CX145DSR Blade only)
3.35 t counterweight (CX145DSR LC only)

OPERATOR STATION

ROPS certified cab
FOPS guard OPG level II
Pressurized cab
Tempered safety glass
One-touch lock front window
Sun visor&rain deflector
AC/heat/defrost w/auto climate control
Hot&coolbox, cup holder & ashtray
Interior dome light
Cloth covered air-suspension high-back seat
Sliding seat – 90 mm
Seat-belt
Adjustable armrests
Tilting consoles - 4-position

CX245D SR

Arm 1.9 m (HD) for Mono version
Arm 2.4 m (HD) for 2 Pieces Boom
Arm 2.95 m for Mono and 2 Pieces Boom
Hydraulic quick coupler provision
Safety valves and bucket linkage with hook

HEAVY COUNTERWEIGHT

3.55t heavy counterweight (for CX145DSR LC and CX145DSR Blade)

OPERATOR STATION

Front cab guard - vertical bars (OPG level 2)
Front cab guard - vertical bars (OPG level 1)
Front mesh screen

Low-effort joystick controls
Sliding cockpit 180 mm
Auxiliary select system
Aux-in port for personal electronics
Multifunction LED color monitor (180 mm)
26 selectable languages for monitor
Anti-theft system (start code system)
Rubber floor mat
12-volt electric socket
24-volt cigarette lighter
One-piece right hand window
Internal & external view mirrors
Working lights (boom&upperstructure)
Cab top working lights
Windshield wiper / washer
Clear (Lexan) roof window w/sunshade
Storage compartments
On-board diagnostic system

ATTACHMENTS

CX145DSR

Mono boom 4.63 m
Arm 2.50 m

CX245D SR

Mono boom 5.70 m
Arm 2.40 m (HD)

Boom mounted work light
Auxiliary pipe brackets
Centralized lube bank
Attachment cushion valve

UNDERCARRIAGE

600 mm steel triple grouser shoes
Full overlap turntable bearing tub
Sealed link chain
Lashing points

Travel alarm

AM/FM CD/radio with antenna and 2-speakers
LED lights (8 lights included side view camera with LED lights)
Case Maximum View Monitor (CMVM) - 3 cameras system
Travel alarm

UNDERCARRIAGE

500 mm steel triple grouser shoes (CX1450D SR)
500 mm rubber link chains (CX145D SR)
600 mm rubber link chains (CX245D SR)
700 mm steel triple grouser shoes (CX145DSR and CX245DSR)
800 mm steel triple grouser shoes (CX245DSR)
900 mm steel triple grouser shoes (CX245DSR)
Triple track guide





CX D-SERIES

CX145D SR

SPECIFICATIONS

ENGINE

Model _____ ISUZU VD-4JJ1X
 Type _____ Water-cooled, 4-cycle diesel, 4-cylinder in line, High pressure common rail system (electric control), Turbocharger with air cooled intercooler, SRC system
 Exhaust gas treatment: _____ Stage V, CEGR, DOC + DPD + SCR
 Auto cleaning by temperature and pressure management
 Number of cylinders / Displacement (l) _____ 4 / 2.99
 Emissions level _____ Reg. Eu 2016/1628 Stage V
 Bore & stroke (mm) _____ 95.4 x 104.9
Rated flywheel horse power
 SAE J1349, ISO 9249 (kW / hp) _____ 76.4 / 102 at 2000 min⁻¹
 ISO 14396 (kW / hp) _____ 78.5 / 105 at 2000 min⁻¹
Maximum torque
 SAE J 1349, ISO 9249 (Nm) _____ 349 at 1800 min⁻¹
 ISO 14396 (Nm) _____ 356 at 1800 min⁻¹

HYDRAULIC SYSTEM

Main pumps _____ 2 variable displacement axial piston pumps with regulating system
 Max. oil flow (l/min) _____ 2 x 129 at 2000 min⁻¹
Working circuit pressure
 Boom/Arm/Bucket _____ 34.3 MPa – 36.3 MPa with auto power boost
 Boom/Arm/Bucket (Offset version only) _____ 34.3 Mpa
 Swing circuit _____ 27.9 MPa
 Travel circuit _____ 34.3 MPa
 Offset circuit (Offset version only) _____ 31.4 Mpa
Pilot pump _____ 1 gear pump
 Max. oil flow (l/min) _____ 20
 Working circuit pressure (MPa) _____ 3.9
Boom Cylinders
 Bore (mm) _____ 105
 Stroke (mm) _____ 1120
Arm Cylinder
 Bore (mm) _____ 115
 Stroke (mm) _____ 1108
Bucket Cylinder
 Bore (mm) _____ 95
 Stroke (mm) _____ 881
Boom Positioning Cylinder (2PB versions)
 Bore (mm) _____ 140
 Stroke (mm) _____ 840
Blade Operating Cylinder (dozer blade versions)
 Pieces _____ 2
 Bore (mm) _____ 115
 Stroke (mm) _____ 250
Offset Operating Cylinder (Offset version)
 Bore (mm) _____ 120
 Stroke (mm) _____ 363

SWING

Swing Motor _____ Fixed displacement axial piston motor
 Maximum swing speed (min⁻¹) _____ 12.5
 Swing torque (kNm) _____ 37

ELECTRICAL SYSTEM

Voltage _____ 24 V
 Alternator _____ 90 Amp
 Starter _____ 24 V 4.0 kW
 Battery _____ 2 X 12 V 72 Ah/5HR

UNDERCARRIAGE

High travel speed (km/h) _____ 5.6
 Low travel speed (km/h) _____ 3.4
 Drawbar pull (kN) _____ 116
 Number of carrier rollers (each side) _____ 1 (with Blade);
 2 (LC w/out blade)
 Number of track rollers (each side) _____ 7
 Number of shoes (each side) _____ 43 (with Blade);
 46 (LC w/out blade)
 Type of shoes _____ Triple grouser shoes
 Grade ability _____ 70 % (35°)

CIRCUIT AND COMPONENT CAPACITIES

Fuel tank (l) _____ 200
 Hydraulic system (l) _____ 158
 Hydraulic reservoir (l) _____ 75
 AdBlue tank (l) _____ 45

SOUND LEVEL

External guaranteed sound level
 (EU Directive 2000/14/EC) _____ LwA 99 dB(A)
 Operator cab sound pressure level (ISO 6396) _____ LpA 70 dB(A)

OPERATING WEIGHT

	Operating weight	Counterweight (kg)
LC	14500/14700*	3350/3550
Blade	14700/15400*	2850/3550
2 Piece Boom	15200	3350
2 PB w/Blade	15800	3350
Offset	15400	2850

*with heavy counterweight

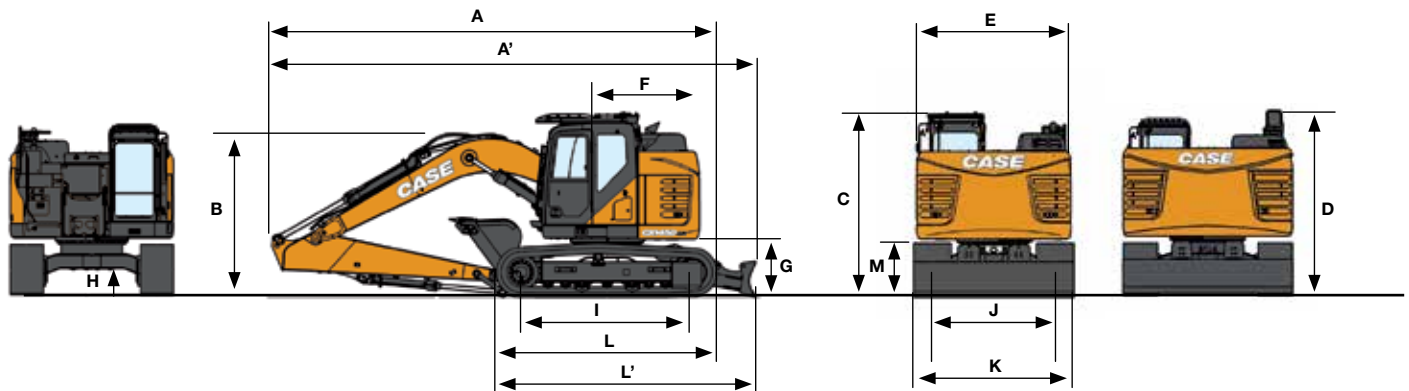
BLADE DIMENSIONS AND RANGE

Blade dimensions
 Blade (width x height) (mm) _____ 2490 / 2590 / 2690 x 570
 Blade range up / down (mm) _____ 510/520

CX D-SERIES

CX145D SR

GENERAL DIMENSIONS



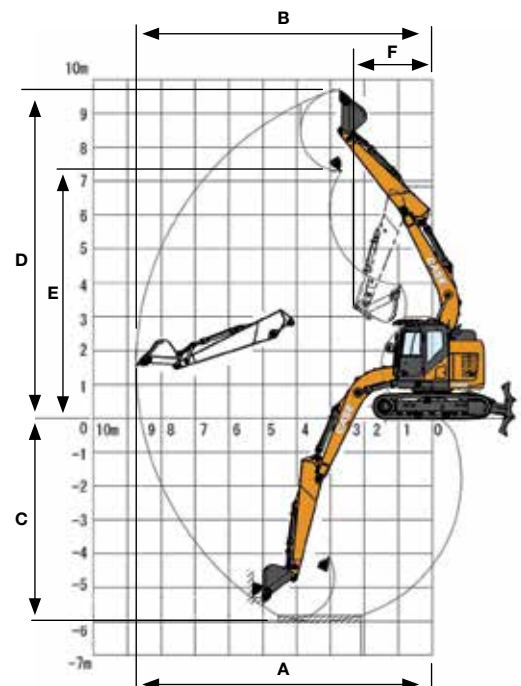
	mm	CX145D SR LC			CX145D SR BLADE		
		Arm 2.5 m	Arm 3.00 m	Arm 2.10 m HD	Arm 2.5 m	Arm 3.00 m	Arm 2.10 m HD
A Overall length (with attachment)	mm	7350	7340	7340	7220	7210	7210
A' Overall length (with attachment & blade)	mm	-	-	-	7880	7860	7870
B Overall height (to top of boom)	mm	2840	2680	2750	2840	2680	2750
C Cab height	mm	2920	2920	2920	2920	2920	2920
D Overall height (to top of guardrail)	mm	2940-2780 (folded handrail)	2940-2780 (folded handrail)	2940-2780 (folded handrail)	2940-2780 (folded handrail)	2940-2780 (folded handrail)	2940-2780 (folded handrail)
E Upper structure overall width	mm	2490	2490	2490	2490	2490	2490
F Swing (rear end) radius STD count./heavy count.	mm	1490/1530	1490/1530	1490/1530	1490	1490	1490
G Clearance height under upper structure	mm	880	880	880	880	880	880
H Minimum ground clearance	mm	420	420	420	425	425	425
I Wheel base (Center to center of wheels)	mm	3040	3040	3040	2790	2790	2790
L Crawler overall length	mm	3760	3760	3760	3500	3500	3500
L' Overall length with blade	mm	-	-	-	4160	4160	4160
M Crawler tracks height	mm	780	780	780	780	780	780
J Track gauge	mm	1990	1990	1990	1990	1990	1990
K Undercarriage overall width (with 600 mm shoes)	mm	2590	2590	2590	2590	2590	2590

PERFORMANCE DATA

CX145D SR LC / CX145D SR BLADE		Arm 2.5 m	Arm 3.00 m	Arm 2.10 m HD
Boom length	mm	4630	4630	4630
A Maximum reach at GRP	mm	8140	8600	7780
B Max reach	mm	8290	8740	7940
C Max digging depth	mm	5510	6010	5110
D Max digging height	mm	9340	9690	9060
E Max dumping height	mm	6940	7290	6660
F Min swing radius	mm	1950	2330	1890

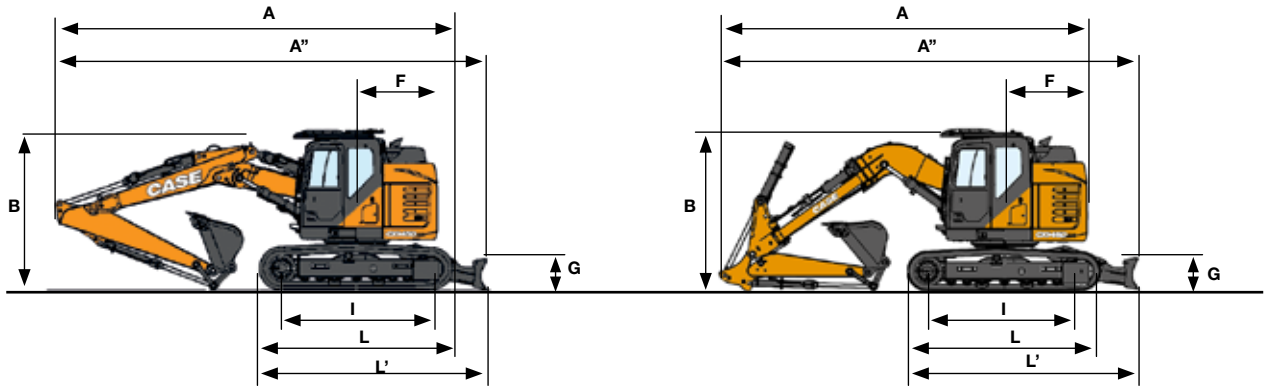
DIGGING FORCE (ISO 6015)

CX145D SR LC / CX145D SR BLADE		Arm 2.5 m	Arm 3.00 m	Arm 2.10 m HD
Arm digging force	kN	62	56	70
With auto power boost	kN	66	60	74
Bucket digging force	kN	90	90	90
With auto power boost	kN	95	95	95



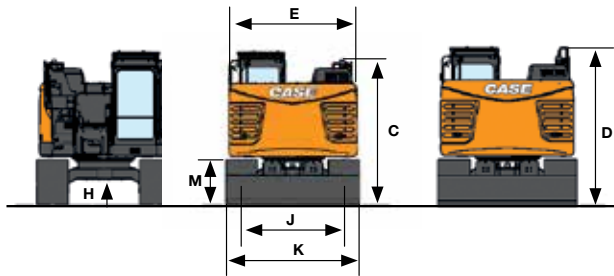
CX D-SERIES

CX145D SR 2-PB W/BLADE / OFFSET BOOM



DIGGING FORCE (ISO 6015)

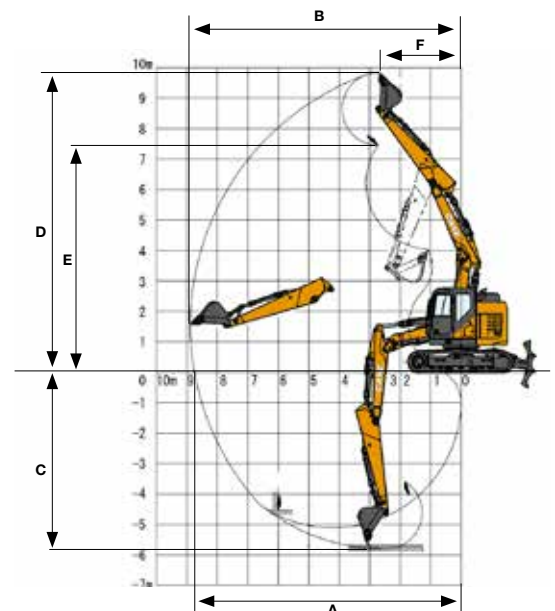
		CX145D SR 2 PB - 2PB (W/BLADE)		CX145D SR OFFSET
		Arm 2.5 m	Arm 3.00 m	Arm 2.10 m
Arm digging force	kN	62	56	59.5
With auto power boost	kN	66	60	-
Bucket digging force	kN	90	90	89.3
With auto power boost	kN	95	95	-



		CX145D SR LC 2 PIECE BOOM		CX145D SR 2 PB (W/BLADE)		CX145D SR OFFSET
		Arm 2.5 m	Arm 3.00 m	Arm 2.5 m	Arm 3.00 m	Arm 2.10 m
A Overall length (without attachment)	mm	3760	3760	4160	4160	-
A' Overall length (with attachment)	mm	7460	7480	-	-	-
A'' Overall length (with blade)	mm	-	-	7990	8010	4160
B Overall height (to top of boom)	mm	2730	2750	2730	2750	2690
C Cab height	mm	2920	2920	2920	2920	2920
D Overall height (to top of tailpipe - folded guardrail)	mm	2780	2780	2780	2780	2780
E Upper structure overall width	mm	2490	2490	2490	2490	2490
F Swing (rear end) radius	mm	1490	1490	1490	1490	1490
G Clearance height under upper structure	mm	880	880	880	880	880
H Minimum ground clearance	mm	440	440	425	425	425
I Wheel base (Center to center of wheels)	mm	3040	3040	2790	2790	2790
L Crawler overall length	mm	3760	3760	-	-	-
L' Crawler overall length (with blade)	mm	-	-	3500	3500	3500
M Crawler tracks height	mm	780	780	780	780	780
J Track gauge	mm	1990	1990	1990	1990	1990
K Undercarriage overall width (with 600 mm shoes)	mm	2590	2590	2590	2590	2590

PERFORMANCE DATA

		CX145D SR 2 PB - 2PB (W/BLADE)		CX145D SR OFFSET
		Arm 2.5 m	Arm 3.00 m	Arm 2.10 m
Boom length	mm	-	-	4500
1 st Boom length	mm	2460	2460	-
2 nd Boom length	mm	2390	2390	-
A Maximum reach at GRP	mm	8280	8760	7430
B Max reach	mm	8430	8890	7590
C Max digging depth	mm	5310	5810	4910
D Max digging height	mm	9470	9840	8630
E Max dumping height	mm	7080	7450	6250
F Min swing radius	mm	2110	2510	1490



CX D-SERIES

CX245D SR

SPECIFICATIONS

ENGINE

Model _____ ISUZU VD-4HK1X
 Type _____ Water-cooled, 4,cycle diesel, 4-cylinder in line, High pressure common rail system (electric control), Turbocharger with air cooled intercooler, SRC system.

Exhaust gas treatment: _____ Stage V , CEGR, DOC + DPD + SCR
 Auto cleaning by temperature and pressure managemen

Number of cylinders / Displacement (l) _____ 4 / 5.2

Emissions level _____ Reg. Eu 2016/1628 Stage V

Bore & stroke (mm) _____ 115 x 125

Rated flywheel horse power

SAE J1349, ISO 9249 (kW / hp) _____ 119.3 / 160 at 1800 min⁻¹

ISO 14396 (kW / hp) _____ 124 / 166 at 1800 min⁻¹

Maximum torque

SAE J 1349, ISO 9249 (Nm) _____ 620 at 1600 min⁻¹

ISO 14396 (Nm) _____ 636 at 1600 min⁻¹

HYDRAULIC SYSTEM

Main pumps _____ 2 variable displacement axial piston pumps with regulating system

Max. oil flow (l/min) _____ 2 x 211 at 1800 min⁻¹

Working circuit pressure

Boom/Arm/Bucket (MPa) _____ 34.3 - 37.3 with auto power boost

Swing circuit (MPa) _____ 29.4

Travel circuit (MPa) _____ 34.3

Pilot pump _____ 1 gear pump

Max. oil flow (l/min) _____ 18

Working circuit pressure (MPa) _____ 3.9

Boom Cylinders

Bore (mm) _____ 120

Stroke (mm) _____ 1370

Arm Cylinder

Bore (mm) _____ 140

Stroke (mm) _____ 1460

Bucket Cylinder

Bore (mm) _____ 120

Stroke (mm) _____ 1010

SWING

Swing Motor _____ Fixed displacement axial piston motor

Maximum swing speed (min⁻¹) _____ 11.5

Swing torque (kNm) _____ 64

ELECTRICAL SYSTEM

Voltage _____ 24 V

Alternator _____ 85 Amp

Starter _____ 24 V 5.0 kW

Battery _____ 2 X 12 V 92 Ah/5HR

UNDERCARRIAGE

High travel speed (km/h) _____ 5.0

Low travel speed (km/h) _____ 3.2

Drawbar pull (kN) _____ 201

Number of carrier rollers (each side) _____ 2

Number of track rollers (each side) _____ 8

Number of shoes (each side) _____ 49

Type of shoes _____ Triple grouser shoes

Grade ability _____ 70 % (35°)

CIRCUIT AND COMPONENT CAPACITIES

Fuel tank (l) _____ 320

Hydraulic system (l) _____ 252

Hydraulic reservoir (l) _____ 114

Adblue tank (l) _____ 45

SOUND LEVEL

External guaranteed sound level

(EU Directive 2000/14/EC) _____ LwA 101 dB(A)

Operator cab sound pressure level (ISO 6396) _____ LpA 71.4 dB(A)

OPERATING WEIGHT

CX245DSR LC MONO

	Without blade	With blade
Max operating weight (kg)	24400	26000
Counterweight (kg)	6530	

CX245DSR 2 PIECE BOOM

	Without blade	With blade
Max operating weight (kg)	26100	27700
Counterweight (kg)	7430	

BLADE DIMENSIONS AND RANGE

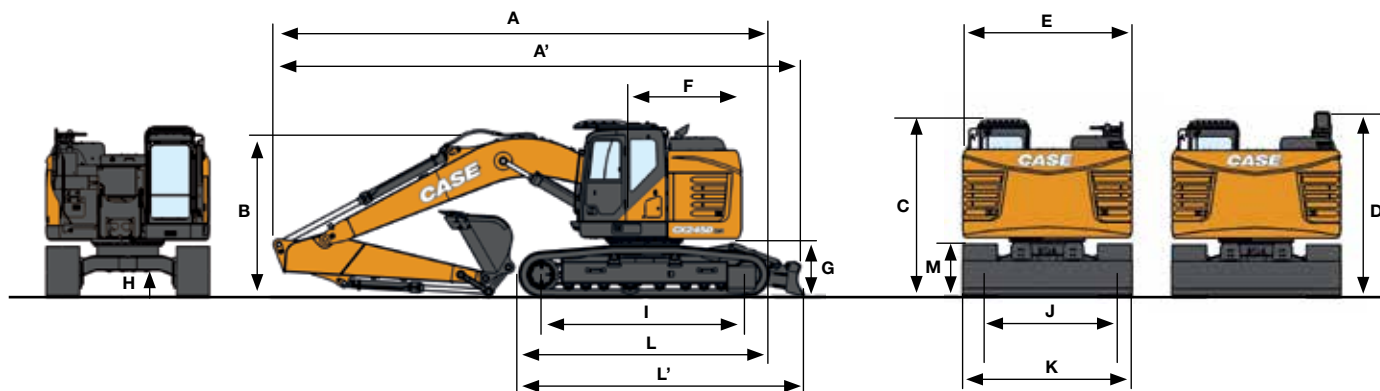
Blade dimensions (width x height) (mm) _____ 3000/3200 x 610

Blade range up / down (mm) _____ 490 / 390

CX D-SERIES

CX245D SR

GENERAL DIMENSIONS



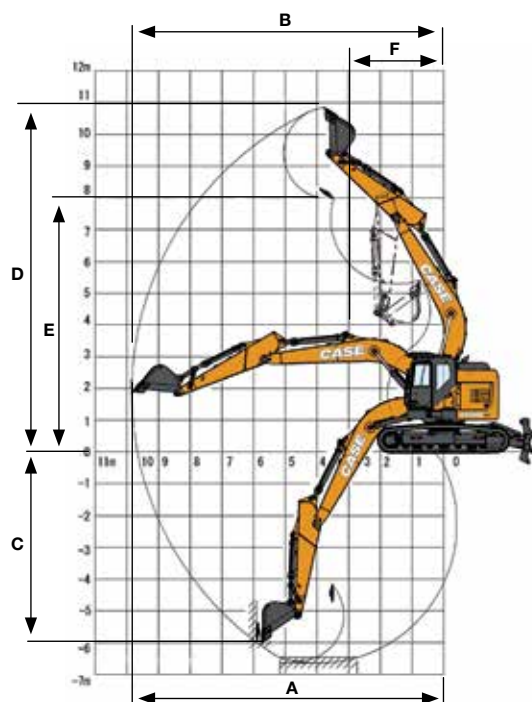
		CX245D SR LC			CX245D SR BLADE		
		Arm 2.4 m HD	Arm 1.90 m HD	Arm 2.95 m	Arm 2.4 m HD	Arm 1.90 m HD	Arm 2.95 m
A Overall length (with attachment)	mm	8920	8940	8830	8920	8940	8830
A' Overall length (with attachment & blade)	mm	-	-	-	9530	9550	9440
B Overall height (to top of boom)	mm	3180	3100	2980	3180	3100	2980
C Cab height	mm	3140	3140	3140	3140	3140	3140
D Overall height (to top of guardrail)	mm	3290/3090 (folded handrail)	3290/3090 (folded handrail)	3290/3090 (folded handrail)	3290/3090 (folded handrail)	3290/3090 (folded handrail)	3290/3090 (folded handrail)
E Upper structure overall width	mm	2990	2990	2990	2990	2990	2990
F Swing (rear end) radius STD count./extra count.	mm	1720	1720	1720	1720	1720	1720
G Clearance height under upper structure	mm	1020	1020	1020	1020	1020	1020
H Minimum ground clearance	mm	440	440	440	440	440	440
I Wheel base (Center to center of wheels)	mm	3660	3660	3660	3660	3660	3660
L Crawler overall length	mm	4470	4470	4470	4470	4470	4470
L' Crawler overall length (with blade)	mm	-	-	-	5560	5560	5560
M Crawler tracks height	mm	920	920	920	920	920	920
J Track gauge	mm	2390	2390	2390	2390	2390	2390
K Undercarriage overall width (with 600 mm shoes)	mm	2990	2990	2990	2990	2990	2990

PERFORMANCE DATA

CX245D SR LC / CX245D SR BLADE		Arm 2.4 m HD	Arm 1.90 m HD	Arm 2.95 m
Boom length	mm	5700	5700	5700
A Maximum reach at GRP	mm	9180	8710	9670
B Max reach	mm	9370	8910	9850
C Max digging depth	mm	6120	5620	6650
D Max digging height	mm	10520	10170	10860
E Max dumping height	mm	7630	7280	7970
F Min swing radius	mm	2550	2530	2310

DIGGING FORCE (ISO 6015)

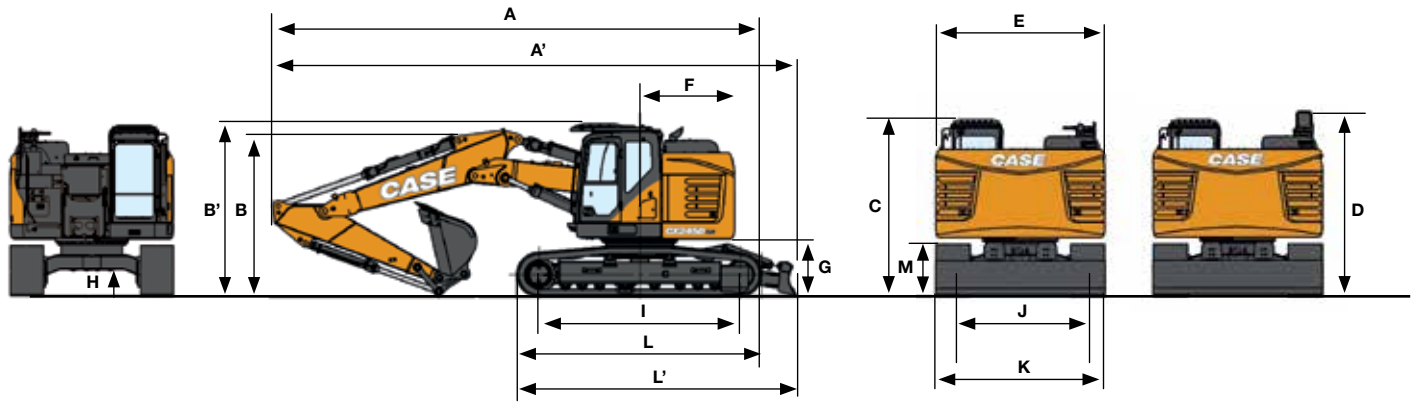
CX245D SR LC / CX245D SR BLADE		Arm 2.4 m HD	Arm 1.90 m HD	Arm 2.95 m
Arm digging force	kN	123	142	103
With auto power boost	kN	133	154	112
Bucket digging force	kN	142	142	142
With auto power boost	kN	154	154	154



CX D-SERIES

CX245D SR 2 PIECE BOOM

GENERAL DIMENSIONS



CX245D SR 2 PIECE BOOM (WITHOUT BLADE)

CX245D SR 2 PIECE BOOM (WITH BLADE)

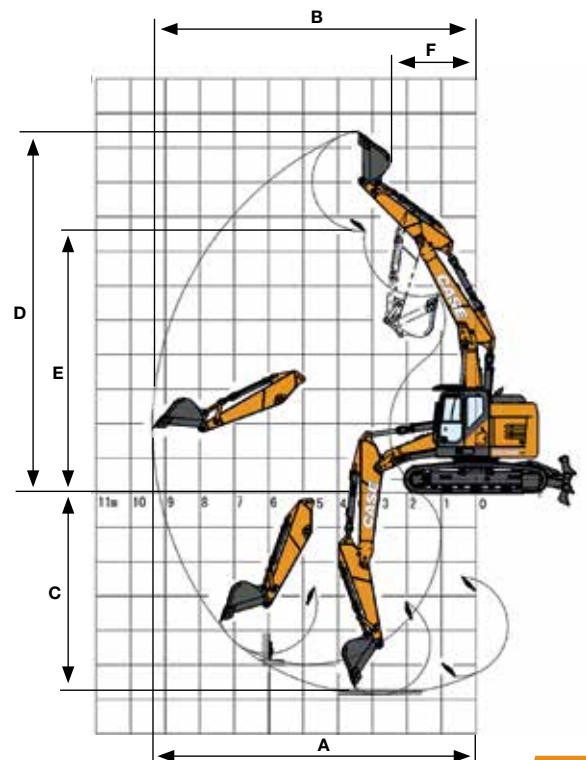
	mm	CX245D SR 2 PIECE BOOM (WITHOUT BLADE)		CX245D SR 2 PIECE BOOM (WITH BLADE)	
		Arm 2.4 m	Arm 2.95 m	Arm 2.4 m	Arm 2.95 m
A Overall length (without attachment)	mm	4470	4470	5060	5060
A' Overall length (with attachment)	mm	8890	8830	9500	9440
B Overall height (to top of boom)	mm	3050	2890	3050	2890
B' Overall height (to top of cab)	mm	3140	3140	3140	3140
C Cab height	mm	3140	3140	3140	3140
D Overall height (to top of guardrail)	mm	3090 (fold guardrail)	3090 (fold guardrail)	3090 (fold guardrail)	3090 (fold guardrail)
E Upper structure overall width	mm	2990	2990	2990	2990
F Swing (rear end) radius	mm	1720	1720	1720	1720
G Clearance height under upper structure	mm	1020	1020	1020	1020
H Minimum ground clearance	mm	440	440	440	440
I Wheel base (Center to center of wheels)	mm	3660	3660	3660	3660
L Crawler overall length	mm	4470	4470	4470	4470
L' Crawler overall length (with blade)	mm	-	-	5560	5560
M Crawler tracks height	mm	920	920	920	920
J Track gauge	mm	2390	2390	2390	2390
K Undercarriage overall width (with 600 mm shoes)	mm	2990	2990	2990	2990

PERFORMANCE DATA

CX245D SR 2 PIECE BOOM / 2 PIECE BOOM W/BLADE		Arm 2.4 m	Arm 2.95 m
1st Boom length	mm	2960	2960
2nd Boom length	mm	2790	2790
Bucket radius	mm	1450	1450
Bucket wrist action	°	177	177
A Maximum reach at GRP	mm	9180	9680
B Max reach	mm	9370	9860
C Max digging depth	mm	5850	6370
D Max digging height	mm	10470	10810
E Max dumping height	mm	7580	7920
F Min swing radius	mm	2680	2440

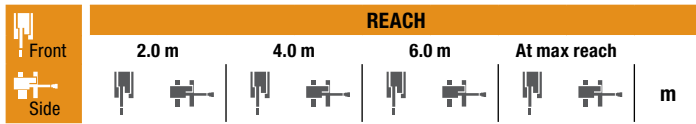
DIGGING FORCE (ISO 6015)

CX245D SR 2 PIECE BOOM / 2 PIECE BOOM W/BLADE		Arm 2.4 m	Arm 2.95 m
Arm digging force	kN	123	103
With auto power up	kN	133	112
Bucket digging force	kN	142	142
With auto power up	kN	154	154



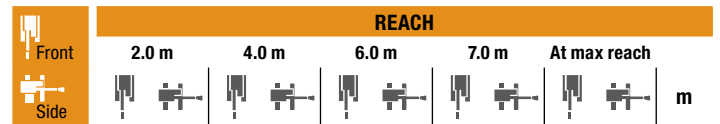
LIFTING CAPACITY

CX145D SR



BLADE DOWN Short arm 2.10 m, 600 mm shoes, max reach 6.74 m

6.0 m			4690*	4680			2520*	2520*	5.0
4.0 m	7930*	7930*	6000*	4480	3700*	2350	2270*	2180	6.26
2.0 m	7490*	4050	5080*	2250			2320*	1890	6.72
0 m			7830*	3780	5030*	2150	2660*	1910	6.55
-2.0 m	8270*	8270*	6410*	3760			3630*	2320	5.7



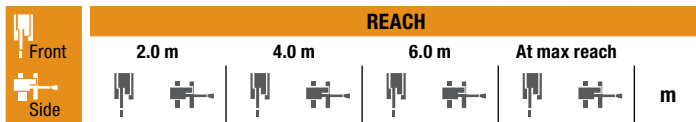
BLADE DOWN Std arm 2.50 m, 600 mm shoes, max reach 7.09 m

8.0 m									3090*	3090*	2.7							
6.0 m							4010*	3300			2040*	2040*	5.47					
4.0 m							5030*	4580	3790*	2410			1860*	1860*	6.64			
2.0 m								7240*	4150	4990*	2290	2370*	1810	1910*	1780	7.7		
0 m									7930*	3840	5120*	2180			2190*	1790	6.91	
-2.0 m									7470*	7470*	6880*	3770	4130*	2160		2910*	2110	6.11
-4.0 m											3260*	3260*				2700*	2700*	4.32



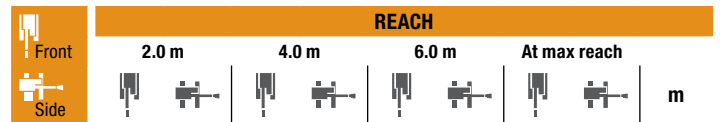
BLADE DOWN Long arm 3.00 m, 600 mm shoes, max reach 7.54 m

8.0 m										2520*	2520*	3.76							
6.0 m										3400*	3400*	2040*	2040*	6.5					
4.0 m										3830*	3830*	3580*	2420	2180*	1860	1750*	1750*	7.12	
2.0 m										6740*	4200	4760*	2280	3430*	1790	1800*	1580	7.53	
0 m										7820*	3800	5070*	2130	3760*	1710	2030*	1580	7.38	
-2.0 m										6620*	6620*	7220*	3680	4560*	2080		2620*	1820	6.64
-4.0 m										7160*	7160*	4540*	3780				3060*	2740	5.4



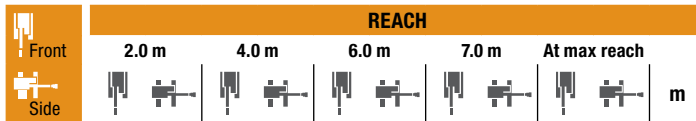
LC Short arm HD 2.10 m, 600 mm shoes, max reach 6.74 m

6.0 m			4690*	4490				2520*	2520*	5.0
4.0 m	7930*	7930*	6000*	4300	3540	2270	2270*	2100	6.26	
2.0 m			6480	3880	3430	2160	2320*	1820	6.72	
0 m			6160	3610	3320	2070	2660*	1840	6.55	
-2.0 m	8270*	8270*	6140	3590			3590	2230	5.7	



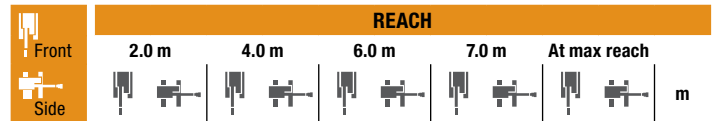
LC - HEAVY COUNTERWEIGHT 3550 KG
Short arm HD 2.10 m, 600 mm shoes, max reach 6.74 m

6.0 m			4690*	4630				2520*	2520*	5.0
4.0 m	7930*	7930*	6000*	4430	3650	2350	2270*	2180	6.26	
6.26			6670	4010	3530	2250	2320*	1890	6.72	
0 m			6360	3750	3430	2150	2660*	1910	6.55	
-2.0 m	8270*	8270*	6330	3730			3630*	2310	5.7	



LC Standard arm 2.50 m, 600 mm shoes, max reach 7.09 m

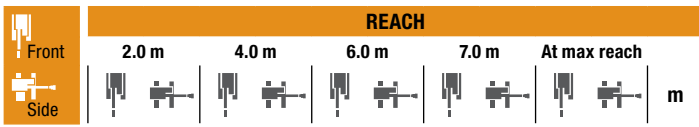
8.0 m										3090*	3090*	2.7							
6.0 m										4010*	4010*	2040*	2040*	5.47					
4.0 m										5030*	4390	3600	2320		1860*	1860*	6.64		
2.0 m										6590	3970	3470	2210	2370*	1740	1910*	1710	7.7	
0 m										6230	3670	3350	2090			2190*	1720	6.91	
-2.0 m										7470*	7470*	6150	3600	3330	2080		2910*	2030	6.11
-4.0 m												3260*	3260*				2700*	2700*	4.32



LC - HEAVY COUNTERWEIGHT 3550 KG
Standard arm 2.50 m, 600 mm shoes, max reach 7.09 m

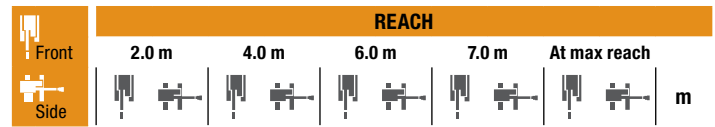
8.0 m										3090*	3090*	2.7							
6.0 m										4010*	4010*	2040*	2040*	5.47					
4.0 m										5030*	4530	3710	2400		1860*	1860*	6.64		
2.0 m										6780*	4110	3580	2290	2370*	1810	1910*	1780	7.7	
0 m										6420	3800	3450	2170			2190*	1790	6.91	
-2.0 m										7470*	7470*	6340	3740	3430	2160		2910*	2110	6.11
-4.0 m												3260*	3260*				2700*	2700*	4.32

* The above loads (kg) are compliant to the ISO standards and refer to the excavator equipped without bucket. The indicated loads are no more than 87% of hydraulic system lift capacity or 75% of static tipping load. Values marked with an asterisk (*) are limited by the hydraulic lifting capacity.



LC Long arm 3.00 m, 600 mm shoes, max reach 7.54 m

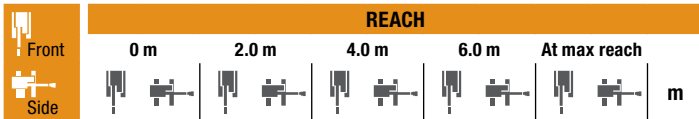
	REACH										
	2.0 m	4.0 m	6.0 m	7.0 m	At max reach						
8.0 m									2520*	2520*	3.76
6.0 m		3400*	3400*	2040*	2040*				1880*	1880*	6.5
4.0 m		3830*	3830*	3580*	2330	2180*	1790	1750*	1730		7.12
2.0 m		6650	4020	3460	2190	2720	1720	1800*	1530		7.53
0 m		6200	3630	3310	2050	2640	1640	2030*	1520		7.38
-2.0 m	6620*	6620*	6050	3510	3250	1990		2620*	1750		6.64
-4.0 m	7160*	7160*	4540*	3610				3060*	2630		5.4



**LC - HEAVY COUNTERWEIGHT 3550 KG
Long arm 3.00 m, 600 mm shoes, max reach 7.54 m**

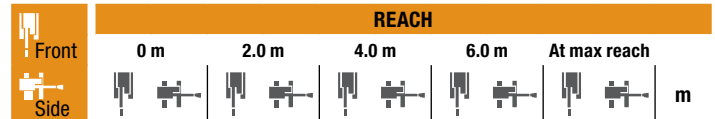
	REACH										
	2.0 m	4.0 m	6.0 m	7.0 m	At max reach						
8.0 m									2520*	2520*	3.76
6.0 m		3400*	3400*	2040*	2040*				1880*	1880*	6.5
4.0 m		3830*	3830*	3580*	2410	2180*	1860	1750*	1750*		7.12
2.0 m		6740*	4150	3570	2270	2810	1790	1800*	1590		7.53
0 m		6390	3770	3410	2130	2720	1710	2030*	1590		7.38
-2.0 m	6620*	6620*	6240	3640	3350	2080		2620*	1820		6.64
-4.0 m	7160*	7160*	4540*	3740				3060*	2730		5.4

CX145D SR 2-PB W/BLADE / OFFSET BOOM



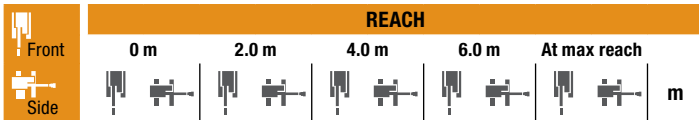
LC Std arm 2.50 m, 600 mm shoes, max reach 7.23 m

	REACH										
	0 m	2.0 m	4.0 m	6.0 m	At max reach						
8.0 m									3210*	3210*	3.06
6.0 m				4050*	4050*				2180*	2180*	5.65
4.0 m				5060*	4770	3730	2430	1990*	1900		6.79
2.0 m		13060*	13060*	6990	4590	3660	2350*	2030*	1650		7.21
0 m	6950*	6950*	11950*	11950*	6810	4110	3490	2180	2280*	1650	7.06
-2.0 m	8690*	8690*	15490*	12320	6490	3810	3360	2060	2830*	1940	6.28
-4.0 m		7690*	7690*								



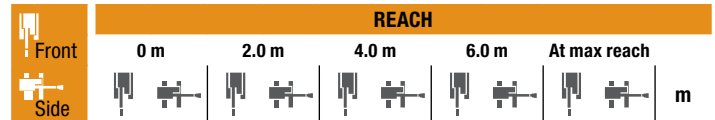
LC Long arm 3.00 m, 600 mm shoes, max reach 7.69 m

	REACH											
	0 m	2.0 m	4.0 m	6.0 m	At max reach							
8.0 m									2680*	2680*	4.06	
6.0 m								2570*	2430	1980*	1980*	6.24
4.0 m						3920*	3920*	3660*	2500	1840*	1680	7.28
2 m			13040*	13040*	6850*	4610	3700	2410	1880*	1470	7.68	
0 m	5090*	5090*	13270*	13270*	6840*	4160	3510	2200	2090*	1460	7.53	
-2.0 m	7560*	7560*	14440*	12260	6470	3780	3330	2020	2630*	1670	6.81	
-4.0 m			11420*	11420*	4660*	3630						



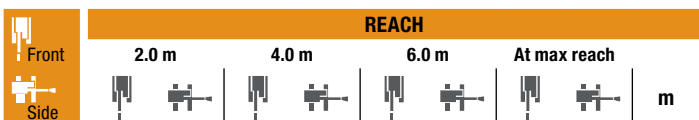
BLADE DOWN Std arm 2.50 m, 600 mm shoes, max reach 7.23 m

	REACH										
	0 m	2.0 m	4.0 m	6.0 m	At max reach						
8.0 m									3210*	3210*	3.06
6.0 m				4050*	4050*				2180*	2180*	5.65
4.0 m				5060*	5060*	4000*	2710	1990*	1990*		6.79
2.0 m		13060*	13060*	7600*	5040	4720*	2630	2030*	1870		7.21
0 m	6950*	6950*	11950*	11950*	7860*	4610	5090*	2460	2280*	1870	7.06
-2.0 m	8690*	8690*	15490*	14550	7800*	4310	3620*	2330	2830*	2200	6.28
-4.0 m		7690*	7690*								



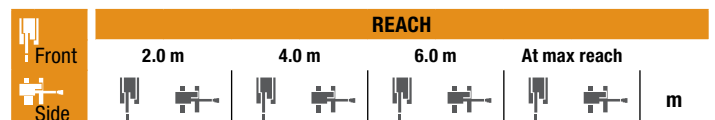
BLADE DOWN Long arm 3.00 m, 600 mm shoes, max reach 7.69 m

	REACH											
	0 m	2.0 m	4.0 m	6.0 m	At max reach							
8.0 m									2680*	2680*	4.06	
6.0 m								2570*	2570*	1980*	1980*	6.24
4.0 m						3920*	3920*	3660*	2760	1840*	1840*	7.28
2 m			13040*	13040*	6850*	5060	4420*	2680	1880*	1670	7.68	
0 m	5090*	5090*	13270*	13270*	7760*	4670	5020*	2480	2090*	1660	7.53	
-2.0 m	7560*	7560*	14440*	14440*	7860*	4280	4460*	2300	2630*	1900	6.81	
-4.0 m			11420*	11420*	4660*	4130						



BLADE UP - OFFSET arm 2.10 m, 600 mm shoes, max reach 6.39 m

	REACH									
	2.0 m	4.0 m	6.0 m	At max reach						
6.0 m			3590*	3590*				2690*	2690*	4.53
4.0 m	5510*	5510*	4520*	4250				2550*	2170	5.89
2.0 m			5170	3610	2720	1950	2460	1760		6.38
0 m			4670	3170	2550	1800	2430	1720		6.20
-2.0 m	7140*	7140*	4600	3100			3030	2120		5.29



BLADE DOWN - OFFSET arm 2.10 m, 600 mm shoes, max reach 6.39 m

	REACH									
	2.0 m	4.0 m	6.0 m	At max reach						
6.0 m			3590*	3590*				2690*	2690*	4.53
4.0 m	5510*	5510*	4520*	4520*				2550*	2340	5.89
2.0 m			6350*	3920	4400*	2120	2780*	1910		6.38
0 m			6940*	3470	4470*	1960	3480*	1870		6.20
-2.0 m	7140*	7140*	6020*	3400			4310*	2310		5.29

* The above loads (kg) are compliant to the ISO standards and refer to the excavator equipped without bucket. The indicated loads are no more than 87% of hydraulic system lift capacity or 75% of static tipping load. Values marked with an asterisk (*) are limited by the hydraulic lifting capacity.

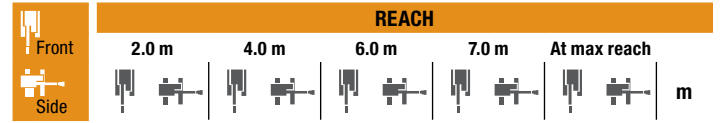
LIFTING CAPACITY

CX245D SR



LC Short arm HD 2.40 m, 600 mm shoes, max reach 7.92 m

Height (m)	2.0 m		4.0 m		6.0 m		7.0 m		At max reach		
	Front	Side	Front	Side	Front	Side	Front	Side	Front	Side	
8.0 m			6100*	6100*					6300*	6300*	4.98
6.0 m			6420*	6420*	5870*	5150			5500*	4220	6.74
4.0 m			8850*	8850*	6530*	4920	6040*	3880	5310	3380	7.62
2.0 m			11740*	8130	7440	4600	5890	3700	4900	3090	7.92
0 m			12430*	7800	7210	4390	5750		5030	3140	7.7
-2.0 m	10330*	10330*	11470*	7840	7180	4370			5880	3650	6.91
-4.0 m			8630*	8150					6230*	5450	5.3



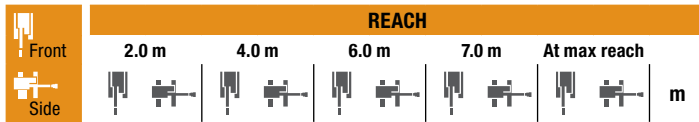
LC S-Short arm HD 1.90 m, 600 mm shoes, max reach 7.46 m

Height (m)	2.0 m		4.0 m		6.0 m		7.0 m		At max reach		
	Front	Side	Front	Side	Front	Side	Front	Side	Front	Side	
8.0 m			7160*	7160*					7200*	7200*	4.2
6.0 m			7220*	7220*	6460*	5090			6480*	4810	6.2
4.0 m			9740*	8920	6960*	4900	6080	3870	5880	3750	7.15
2.0 m					7450	4610	5920	3730	5390	3400	7.46
0 m			12320*	7890	7260	4450	5820	3630	5570	3490	7.22
-2.0 m			10980*	7990	7300	4480			6710	4160	6.37
-4.0 m			7360*	7360*					6210*	6210*	4.58



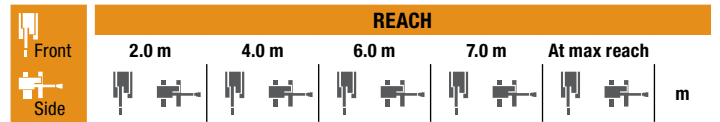
LC Standard arm 2.95 m, 600 mm shoes, max reach 8.40 m

Height (m)	2.0 m		4.0 m		6.0 m		8.0 m		At max reach		
	Front	Side	Front	Side	Front	Side	Front	Side	Front	Side	
8.0 m									4150*	4150*	5.72
6.0 m					5340*	5260			3700*	3700*	7.31
4.0 m			7930*	7930*	6110*	5010	4440*	3170	3650*	3090	8.12
2.0 m			11050*	8340	7230*	4660	4850	3060	3860*	2840	8.4
0 m			12410*	7840	7230	4410	4750	2970	4400*	2870	8.19
-2.0 m	9590*	9590*	11930*	7790	7140	4330			5240	3260	7.46
-4.0 m	15480*	15480*	9720*	8010					6130*	4500	6



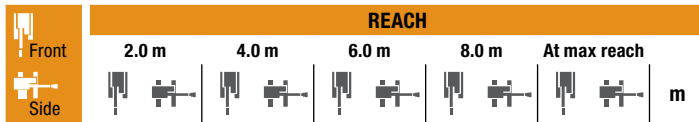
BLADE DOWN Short arm HD 2.40 m, 600 mm shoes, max reach 7.92 m

Height (m)	2.0 m		4.0 m		6.0 m		7.0 m		At max reach		
	Front	Side	Front	Side	Front	Side	Front	Side	Front	Side	
8.0 m			6100*	6100*					6300*	6300*	4.98
6.0 m			6420*	6420*	5870*	5720			5500*	4700	6.74
4.0 m			8850*	8850*	6530*	5480	6040*	4340	5400*	3780	7.62
2.0 m			11740*	9170	7540*	5160	6600*	4150	5730*	3470	7.92
0 m			12430*	8840	8130*	4950	6930*	4020	6240*	3550	7.7
-2.0 m	10330*	10330*	11470*	8880	7750*	4930			6420*	4110	6.91
-4.0 m			8630*	8630*					6230*	6120	5.3



BLADE DOWN S-Short arm HD 1.90 m, 600 mm shoes, max reach 7.46 m

Height (m)	2.0 m		4.0 m		6.0 m		7.0 m		At max reach		
	Front	Side	Front	Side	Front	Side	Front	Side	Front	Side	
8.0 m			7160*	7160*					7200*	7200*	4.2
6.0 m			7220*	7220*	6460*	5660			6480*	5350	6.2
4.0 m			9740*	9740*	960*	5460	6450*	4330	6420*	4190	7.15
2.0 m					7850*	170	6860*	4180	6540*	3820	7.46
0 m			12320*	8930	8230*	5010	6990*	4090	6720*	3930	7.22
-2.0 m			10980*	9030	7480*	5040			6840*	4680	6.37
-4.0 m			7360*	7360*					6210*	6210*	4.58



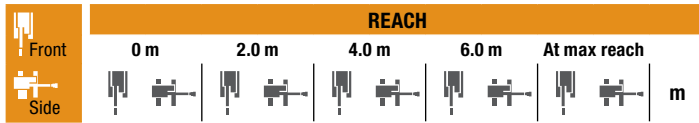
BLADE DOWN Standard arm 2.95 m, 600 mm shoes, max reach 8.40 m

Height (m)	2.0 m		4.0 m		6.0 m		8.0 m		At max reach		
	Front	Side	Front	Side	Front	Side	Front	Side	Front	Side	
8.0 m									4150*	4150*	5.72
6.0 m					5340*	5340*			3700*	3700*	7.31
4.0 m			7930*	7930*	6110*	5570	4440*	3560	3650*	3460	8.12
2.0 m			11050*	9380	7230*	5220	5780*	3440	3860*	3200	8.4
0 m			12410*	8880	8020*	4970	5990*	3350	4400*	3250	8.19
-2.0 m	9590*	9590*	11930*	8820	7960*	4890			5580*	3680	7.46
-4.0 m	15480*	15480*	9720*	9050					6130*	5060	6.0

* The above loads (kg) are compliant to the ISO standards and refer to the excavator equipped without bucket. The indicated loads are no more than 87% of hydraulic system lift capacity or 75% of static tipping load. Values marked with an asterisk (*) are limited by the hydraulic lifting capacity.

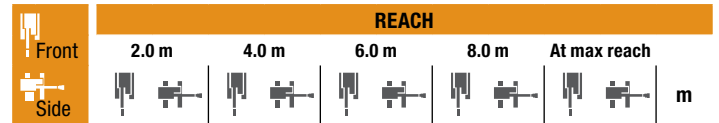
LIFTING CAPACITY

CX245D SR 2 PIECE BOOM



Short arm 2.40 m, 600 mm shoes, max reach 7.92 m

REACH	0 m		2.0 m		4.0 m		6.0 m		At max reach		
	Capacity (m³)	Weight (kg)	Capacity (m³)	Weight (kg)	Capacity (m³)	Weight (kg)	Capacity (m³)	Weight (kg)	Capacity (m³)	Weight (kg)	
8.0 m					7040*	7040*			6310*	6310*	4.97
6.0 m							5730*	5730*	4900*	4600	6.74
4.0 m					9560*	9560*	6140*	5630	4480*	3680	7.62
2.0 m			11580*	11580*	11960*	9700	7160*	5420	4470*	3360	7.92
0 m			15830*	15830*	12090*	9310	7900*	5090	4830*	3420	7.69
-2.0 m	17400*	17400*	24950*	24950*	12350*	8950	7560*	4830	5240*	3980	6.9
-4.0 m			18610*	18610*	8600*	8600*					



Standard arm 2.95 m, 600 mm shoes, max reach 8.40 m

REACH	2.0 m		4.0 m		6.0 m		8.0 m		At max reach		
	Capacity (m³)	Weight (kg)	Capacity (m³)	Weight (kg)	Capacity (m³)	Weight (kg)	Capacity (m³)	Weight (kg)	Capacity (m³)	Weight (kg)	
8.0 m									4210*	4210*	5.72
6.0 m							5350*	5350*	3720*	3720*	7.31
4.0 m	16210*	16210*	8550*	8550*	5780*	5660*	4180*	3480	3650*	3370	8.13
2 m	17170*	17170*	11590*	9690	6760*	5470	4800*	3380	3840*	3100	8.4
0 m	15740*	15740*	12050*	9490	7870*	5220	4910*	3250	4300*	3130	8.19
-2.0 m	21070*	21070*	12220*	8970	7910	4870			5070*	3550	7.46
-4.0 m	22160*	22160*	10510*	8830					4980*	4980*	5.51

BUCKETS

CX145D SR BLADE / LC

GENERAL PURPOSE BUCKET (DIRECT MOUNT)

CAPACITY m³ (ISO7451 HEAPED)	WIDTH mm	WEIGHT kg	ARM 2.10 m	ARM 2.50 m	ARM 3.01 m
0.21	450	250	○	○	○
0.31	600	290	○	○	○
0.41	750	330	○	○	○
0.52	900	360	○	○	●
0.58	1000	400	○	●	■
0.66	1100	430	●	■	■
0.73	1200	450	■	■	×

GENERAL PURPOSE SCOOP BUCKET (WITH CASE MULTI-FIT S COUPLER)

CAPACITY m³ (ISO7451 HEAPED)	WIDTH mm	WEIGHT kg	ARM 2.10 m	ARM 2.50 m	ARM 3.01 m
0.21	450	250	○	○	○
0.31	600	280	○	○	○
0.41	750	310	○	○	●
0.52	900	360	○	●	■
0.58	1000	390	●	■	■
0.66	1100	420	■	■	×
0.73	1200	450	■	×	×

TILTABLE DITCH CLEANING BUCKET (DIRECT MOUNT)

CAPACITY m³ (ISO7451 HEAPED)	WIDTH mm	WEIGHT kg	ARM 2.10 m	ARM 2.50 m	ARM 3.01 m
0.46	1500	640	●	■	■
0.55	1800	690	■	■	×
0.61	2000	730	■	×	×

Tilt angle 45° L/R

Connect to Low-Flow Auxiliary Hydraulic Circuit

○ Rated material density up to 2 ton/m³ ● Rated material density up to 1.6 ton/m³ ■ Rated material density up to 1.2 ton/m³ × Not applicable

BUCKETS

CX245D SR BLADE

GENERAL PURPOSE BUCKET (DIRECT MOUNT)

CAPACITY m ³ (ISO7451 HEAPED)	WIDTH mm	WEIGHT kg	ARM 1.90 m	ARM 2.40 m	ARM 2.95 m
0.44	600	540	○	○	○
0.59	750	610	○	○	○
0.75	900	660	○	○	○
0.85	1000	700	○	○	○
0.96	1100	750	○	○	●
1.01	1200	790	○	●	●
1.23	1350	870	●	■	■
1.39	1500	930	■	■	×

GENERAL PURPOSE SCOOP BUCKET (WITH CASE MULTI-FIT S COUPLER)

CAPACITY m ³ (ISO7451 HEAPED)	WIDTH mm	WEIGHT kg	ARM 1.90 m	ARM 2.40 m	ARM 2.95 m
0.44	600	520	○	○	○
0.59	750	580	○	○	○
0.75	900	650	○	○	○
0.85	1000	680	○	○	●
0.96	1100	730	○	●	■
1.01	1200	770	●	●	■
1.23	1350	850	■	■	×
1.39	1500	910	■	×	×

CX245D SR LC

GENERAL PURPOSE BUCKET (DIRECT MOUNT)

CAPACITY m ³ (ISO7451 HEAPED)	WIDTH mm	WEIGHT kg	ARM 1.90 m	ARM 2.40 m	ARM 2.95 m
0.44	600	540	○	○	○
0.59	750	610	○	○	○
0.75	900	660	○	○	○
0.85	1000	700	○	○	○
0.96	1100	750	○	○	○
1.01	1200	790	○	○	●
1.23	1350	870	●	●	■
1.39	1500	930	●	■	■

GENERAL PURPOSE SCOOP BUCKET (WITH CASE MULTI-FIT S COUPLER)

CAPACITY m ³ (ISO7451 HEAPED)	WIDTH mm	WEIGHT kg	ARM 1.90 m	ARM 2.40 m	ARM 2.95 m
0.44	600	520	○	○	○
0.59	750	580	○	○	○
0.75	900	650	○	○	○
0.85	1000	680	○	○	●
0.96	1100	730	○	●	●
1.01	1200	770	○	●	■
1.23	1350	850	■	■	■
1.39	1500	910	■	×	×

TILTABLE DITCH CLEANING BUCKET (DIRECT MOUNT)

CAPACITY m ³ (ISO7451 HEAPED)	WIDTH mm	WEIGHT kg	ARM 1.90 m	ARM 2.40 m	ARM 2.95 m
0.56	1500	710	○	○	○
0.68	1800	770	○	○	○
0.75	2000	810	○	○	○
0.83	2200	880	○	○	●
0.91	2400	920	○	●	●
0.95	2500	950	○	●	●

Tilt angle 45° L/R

Connect to Low-Flow Auxiliary Hydraulic Circuit

○ Rated material density up to 2 ton/m³ ● Rated material density up to 1.6 ton/m³ ■ Rated material density up to 1.2 ton/m³ × Not applicable



CASE

CASE

CX145D SR

www.casece.com

EXPERTS FOR THE REAL WORLD
SINCE 1842

CASE
CONSTRUCTION



Form No. 20212GB - MediaCross Firenze - 12/19

**CNH INDUSTRIAL
DEUTSCHLAND GMBH**
Case Baumaschinen
Benzstr. 1-3 - D-74076 Heilbronn
DEUTSCHLAND

CNH INDUSTRIAL FRANCE, S.A.
16-18 Rue des Rochettes
91150 Morigny-Champigny
FRANCE

CASE CONSTRUCTION EQUIPMENT
Cranes Farm Rd
Basildon - SS14 3AD
UNITED KINGDOM

CNH INDUSTRIAL - MIDDLE EAST
DAFZA - Dubai Airport Free Zone
West Wing 4 B, Office 642
P.O. Box 54588, Dubai,
UNITED ARAB EMIRATES

**CNH INDUSTRIAL
MAQUINARIA SPAIN, S.A.**
Avenida Aragón 402
28022 Madrid
ESPAÑA

CNH INDUSTRIAL ITALIA SPA
Strada di Settimo, 323
10099 San Mauro Torinese (TO)
ITALIA

CASE CUSTOMER CENTRE
PARIS
RN 330 - Penchard
77122 - Monthyon
FRANCE

NOTE: Standard and optional fittings can vary according to the demands and specific regulations of each country. The illustrations may include optional rather than standard fittings - consult your Case dealer. Furthermore, CNH Industrial reserves the right to modify machine specifications without incurring any obligation relating to such changes.

Conforms to directive 2006/42/EC

CASE
00800-2273-7373

The call is free from a land line.
Check in advance with your Mobile Operator if you will be charged. Toll free number not available from all calling areas.

